



Universal DIN Rail Enclosure UE – 140

Universal mounting : 35, 15 , G rails, & Wall / Surface

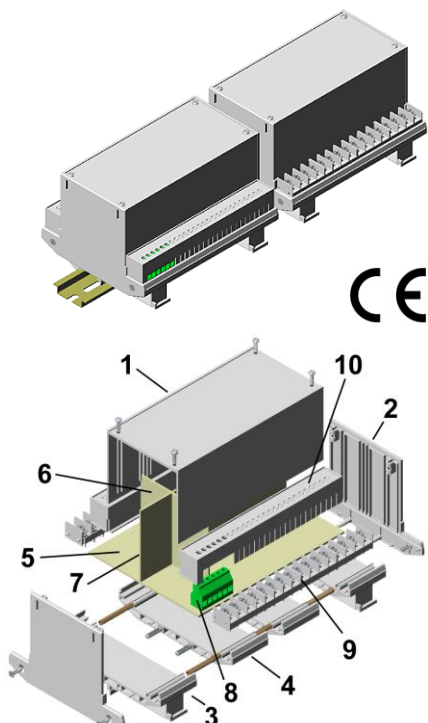
Universal Enclosure UE-140 - is distinguished by its modular design and universal mounting. It has Integral molded PCB guides for Base PCB and auxiliary Vertical & Horizontal PCBs. It also offers flexibility in I/O Terminal as fixed as well as euro terminals with customer specific configuration by knock out blanks terminal covers. Modular construction of enclosure provides ease in design and servicing of Instrument. It is ideal for housing Electrical, Electronics & Electromechanical medium size devices like I/O circuits, relays, timers, transducers, transmitters, Sensing and Motoring Devices.

UEC-140

UE-140

Features

- Universal mounting in all three commercially available rails. EN 60 715 TH35, TH15 and G32 DIN rails.
- Modular construction enables ease in design and servicing.
- Enclosures inside: 70 x 140 x 60 mm.
- PCBs: Base PCB and auxiliary Vertical & Horizontal PCBs
- PCB guides: Integral molded guides in all directions.
- Terminal Option: 52 Euro 5mm pitch OR 32 Fixed 3.75 mm pitch.
- Knockout blanks for individual terminal configuration in covers of Euro Terminal version
- Top cover available with countersunk screws as option.



The system: Enclosure assembly consists of 35 mm Foot pieces, Spacer piece with End pieces and Top cover. Foot piece provides fixing for complete assembly by simple snap fitting on all three rails. Enclosure has Integral molded PCB guides for Base PCB and auxiliary Vertical & Horizontal PCBs.

Enclosure Parts

- | | |
|-----------------|---------------------|
| 1. Top cover | 6. Vertical PCB |
| 2. End Piece | 7. Horizontal PCB |
| 3. Foot Piece | 8. Euro Terminals |
| 4. Spacer Piece | 9. Fixed Terminals |
| 5. Base PCB | 10. Terminal Covers |

Ordering Information

UEC-140-00	Enclosure with Euro Term. Covers (Last two digits indicate number of terminal required. 00 – No Term to 52 Max Term.
UE-140	Enclosure with Fixed 32 Term
PB-140	Base PCB (for Prototype making)
RL-140	Rail Piece For Wall Mounting
UBRH	High Bracket for Wall / Surface mounting.
UBRL	Low Bracket for Wall / Surface mounting.

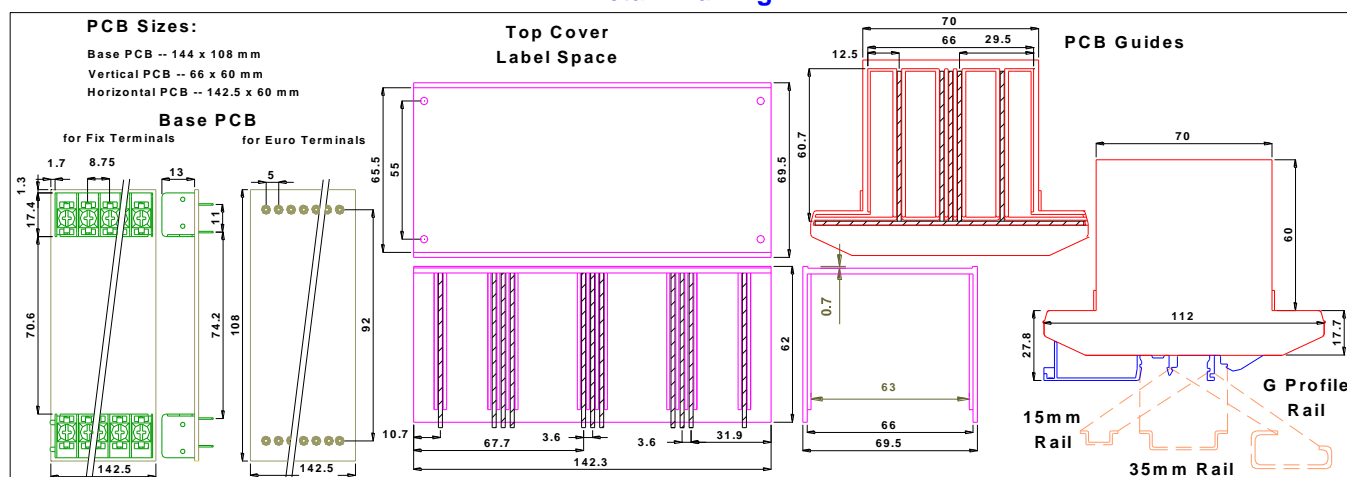
Material : Cover : ABS

End Piece : Nylon **Foot Piece :** Nylon 6.6

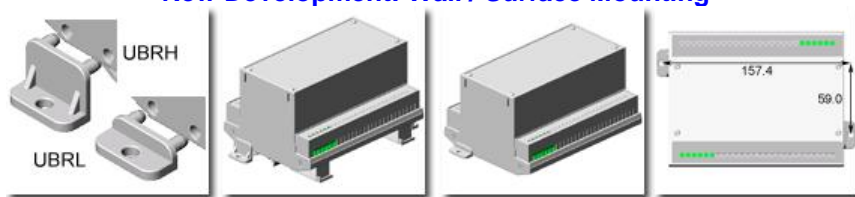
Spacer Piece: Nylon

Color : Light Gray

Detail Drawing



New Development: Wall / Surface Mounting



UBRH - High Bracket is used with regular Din rail enclosure as additional option for Wall / Surface mounting.
UBRL – Low Bracket is used for enclosure only for Wall / Surface mounting - No din rail mounting. (Enclosure is made using all spacer pieces not foot pieces).